

Pesticide Storage and Facility Storage **by Dr. Don Renchie**

Recent national events have caused a heightened awareness of inspecting and evaluating pesticides security programs. It is advisable for each of us to conduct a thorough inspection of our pesticide and pesticide equipment storage facilities to locate and eliminate any weak areas

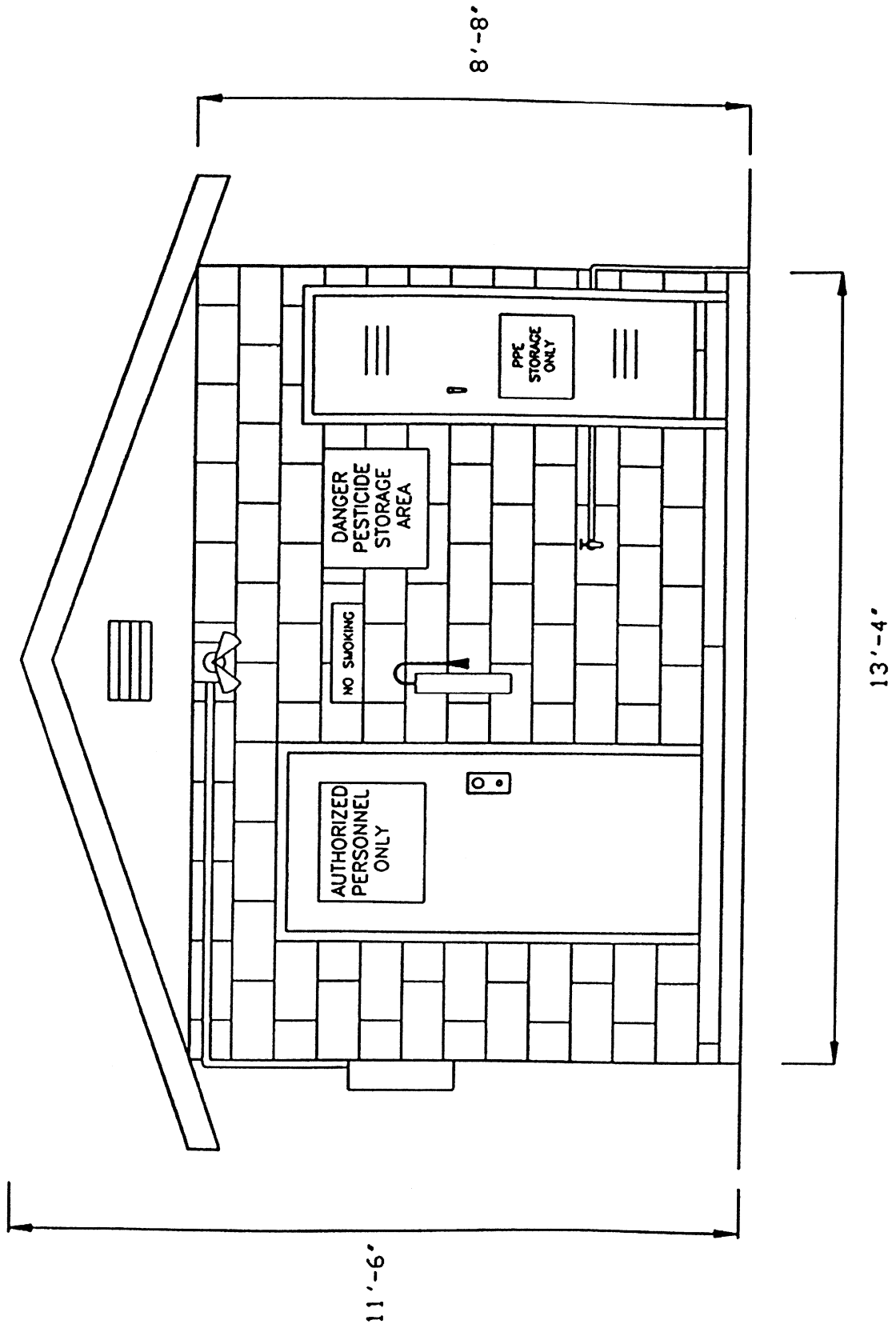
What does an effective facility security program entail? Be sure to have an emergency response plan on file, practice makes perfect. Designate an emergency response team, unprepared businesses suffer public embarrassment and costly fines.

Following are a few simple tips based on advice from federal and state experts:

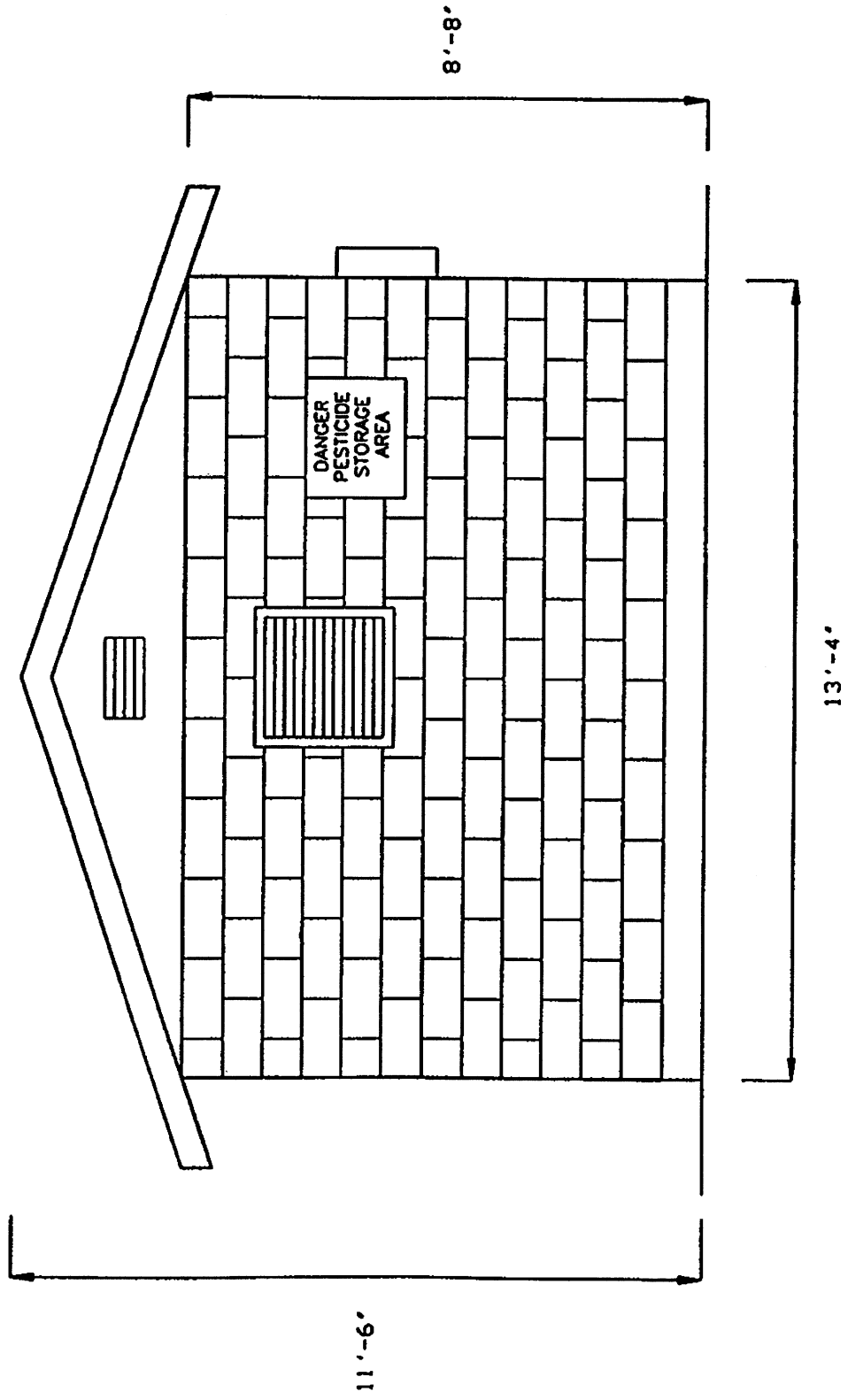
- § Inspections should be aimed at removing the risk of unauthorized entry into pesticide storage facilities. In addition, and most importantly, is the prevention of pesticide removal by unauthorized persons.
- § Store pesticides in a separate location, preferably in a locked storage building dedicated for just that purpose. Separate pesticides by use (insecticides with insecticides, herbicides with herbicides, etc.) and, when practical, store application equipment separately, under lock and key.
- § Always lock pesticide storage cabinets, closets, rooms and buildings. Locks should be case hardened, tamper-resistant and in top working order. Use cable seal locks to secure individual storage containers.
- § Keep perimeter fences six to eight feet tall, with appropriate signs posted (Danger-Pesticides and No Smoking) and dusk to dawn security lighting supplied.
- § Limit access to appropriate personnel, and tightly control access keys. Thoroughly scrutinize any unauthorized personnel.
- § Maintain thorough stock records and perform frequent inventories. Also, establish contact with local law enforcement and fire authorities.
- § Be alert to anyone attempting to purchase toxic material who is unfamiliar with typical uses (pests controlled or application method to be used).

If you observe unusual or suspicious behavior, contact your local authorities.

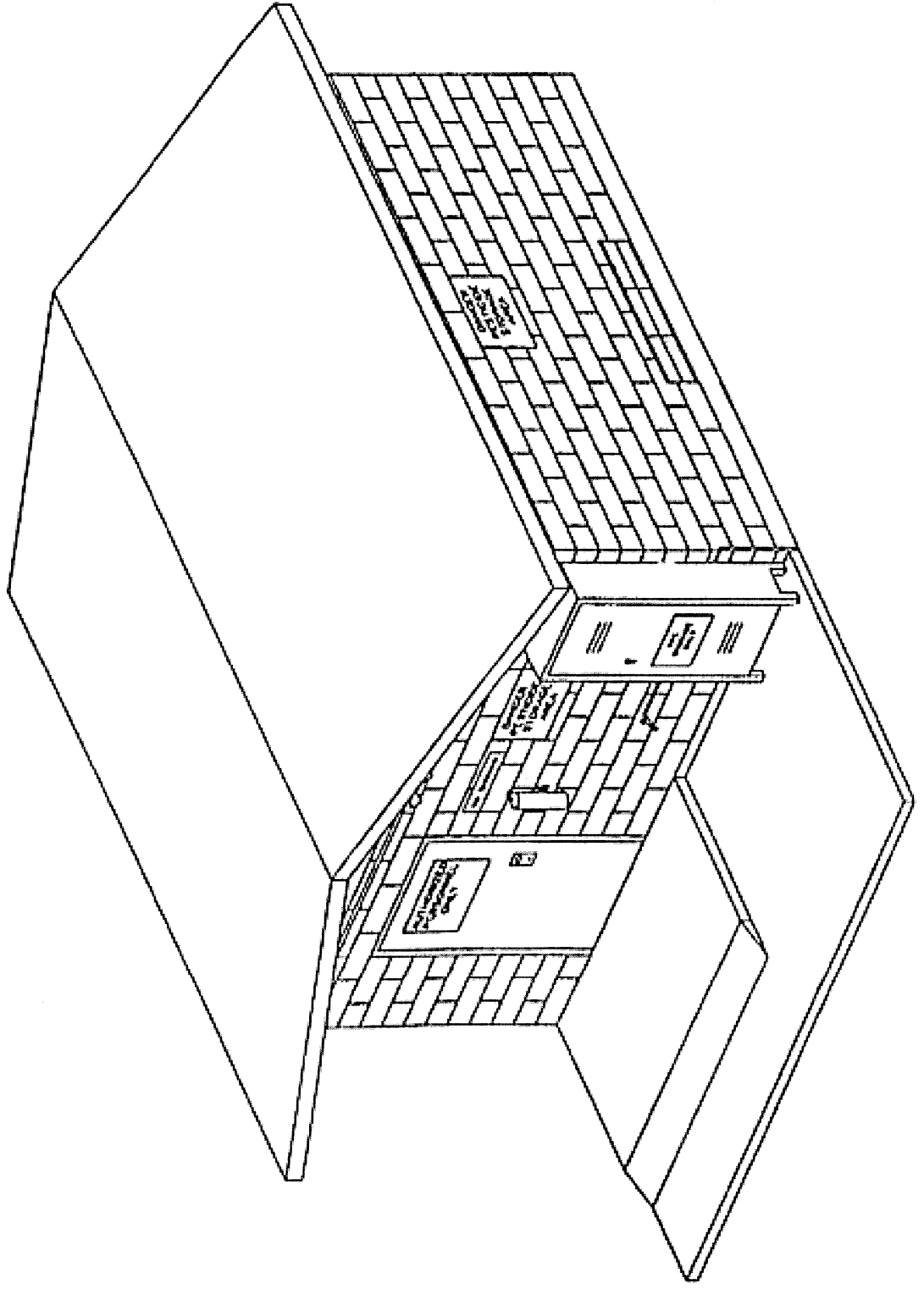
Exterior Features of Front Wall



Exterior Features of Rear Wall.



Isometric Projection of Pesticide Storage Facility.



Roof Features

